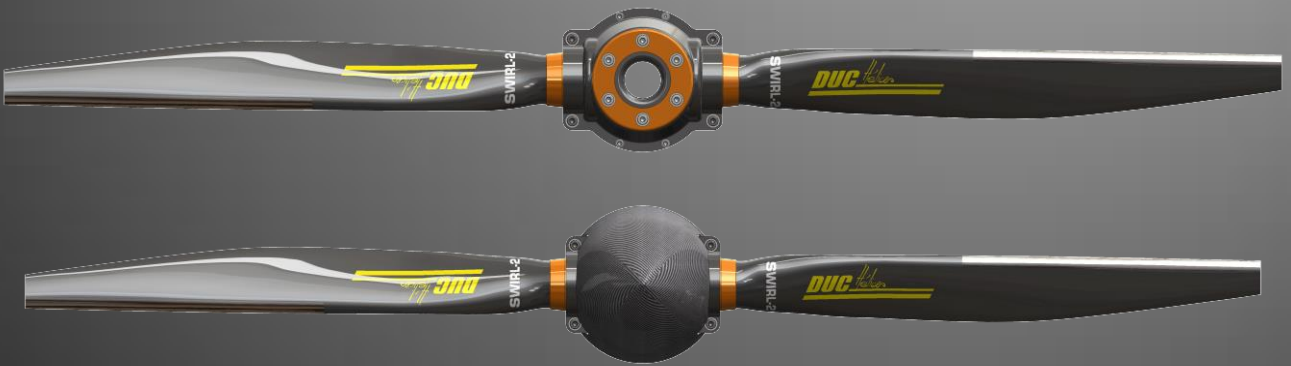


New propeller

SWIRL-2

FOR DIRECT DRIVE 4 STROKES ENGINE

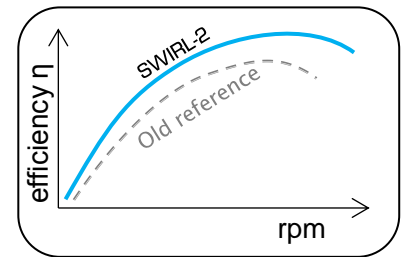


New propeller SWIRL-2 FOR DIRECT DRIVE 4 STROKES ENGINE



Description

Specific development for direct drive 4 strokes engine
New innovative design for a large cruise extension
Higher "Constant speed" effect & Higher efficiency
Low fuel consumption & Low noise
Carbon composite blades and hub – Low weight & Low inertia
Manufacture of high precision – Metal inserts in the carbon hub
Hub in Standard or Compact version (for Ø210mm spinner)



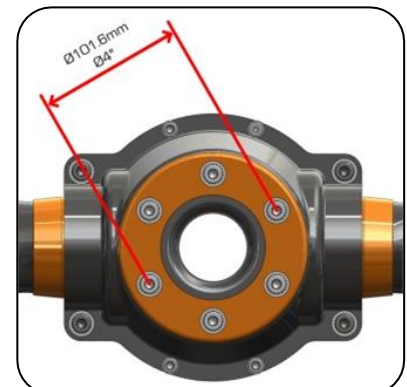
Characteristics

- Certification LSA (ASTM F2506-10)
- Clockwise
- Diameters Ø64" to Ø75" (Ø1620 to Ø1900mm)
- 2 blades – 3.20kg
- Shielding leading edge in Inconel®
- Excellence version "SWIRL-2-R":
 - Longitudinal reinforced carbon structure
 - Higher bending strength
 - Titanium color finishing
 - Advanced controls



Application

3-axis/LSA; Tractor airplane
Engine 80-125hp: Jabiru, UL Power, D-Motor, Continental, Lycoming



Version

Two-blade Inconel SWIRL-2	1 129 €
Two-blade Inconel SWIRL-2-R	1 483 €